

O-RAN Software Community (OSC) Candidate Test Setups - Rev. C

Eng Wei Koo
EngWei.Koo@viavisolutions.com
Mar 17 2020

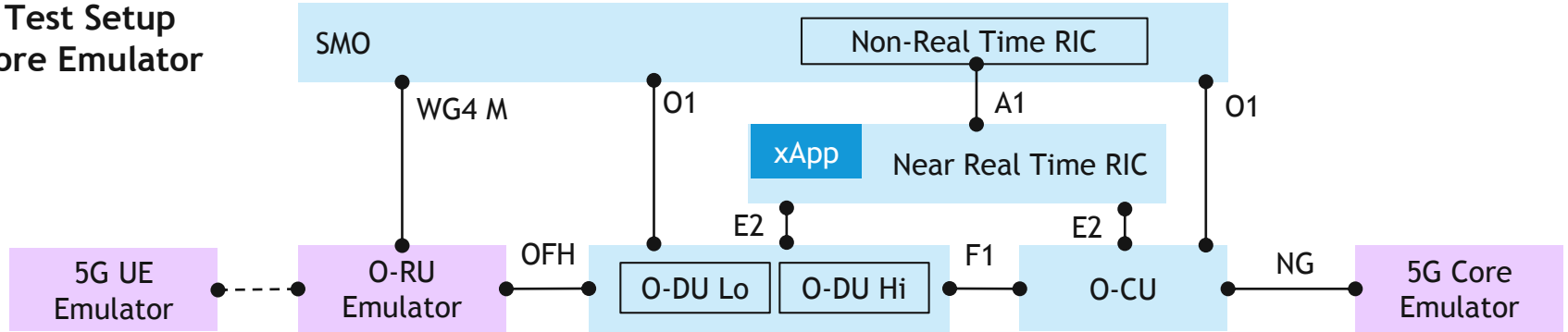
VIAMI Confidential and Proprietary Information
© 2020 VIAMI Solutions Inc.

O-RAN Software Community (OSC) - Candidate Test Setups in Discussions

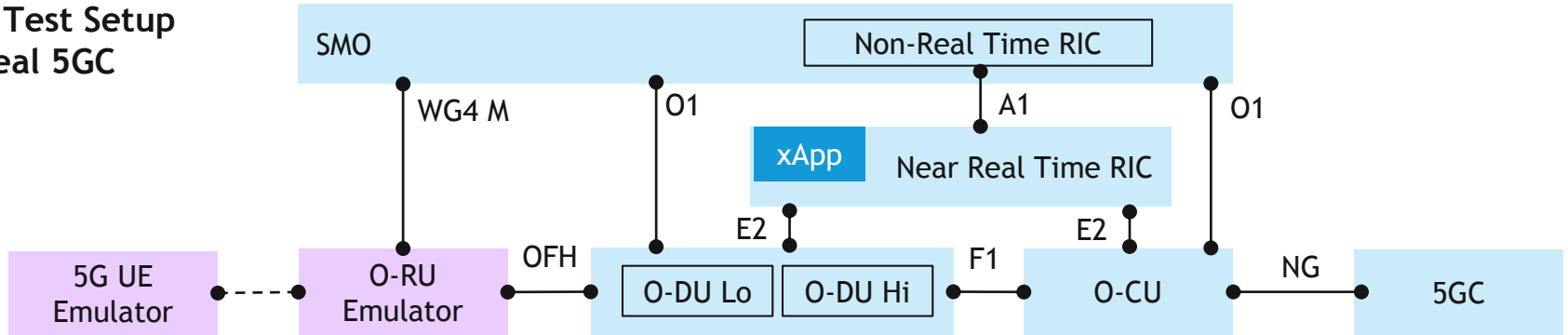
No.	Description	Discussions Status
1	End-to-End (E2E) Test Setup	
2	xApp Subsystem Test Setup (a) End state (b) Short term	2(b) in discussion
3	O-DU Lo-Hi Subsystem Test Setup (a) End state (b) Short term	3(b) in discussion
4	O-CU Subsystem Test Setup (a) End state (b) Short term	

OSC - (1) End State E2E System Test Setup

E2E Test Setup w Core Emulator

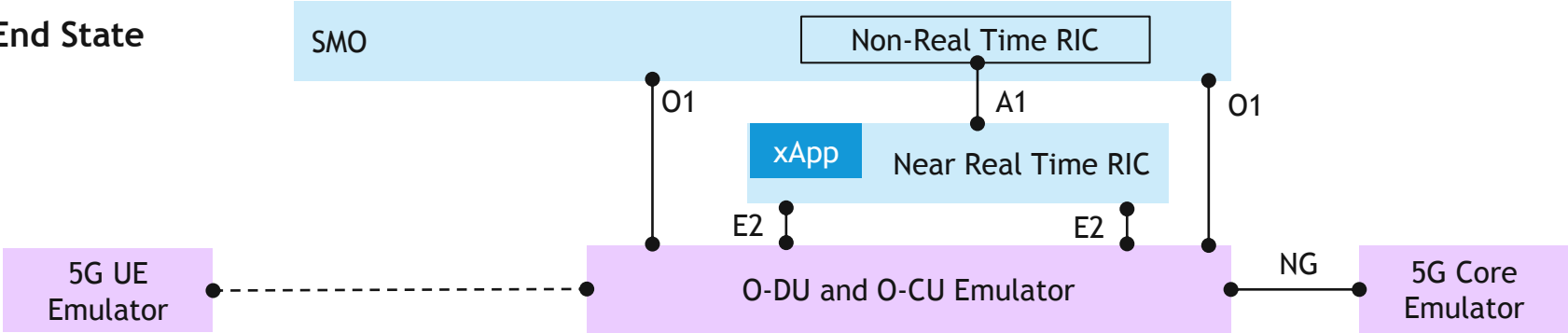


E2E Test Setup w Real 5GC

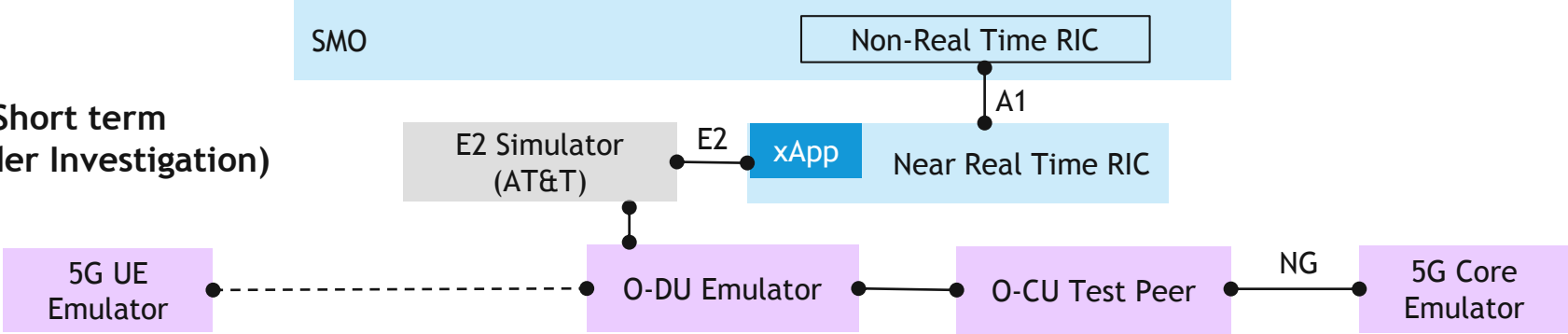


OSC - (2) xApp Subsystem Test Setup

2a. End State



2b. Short term (Under Investigation)

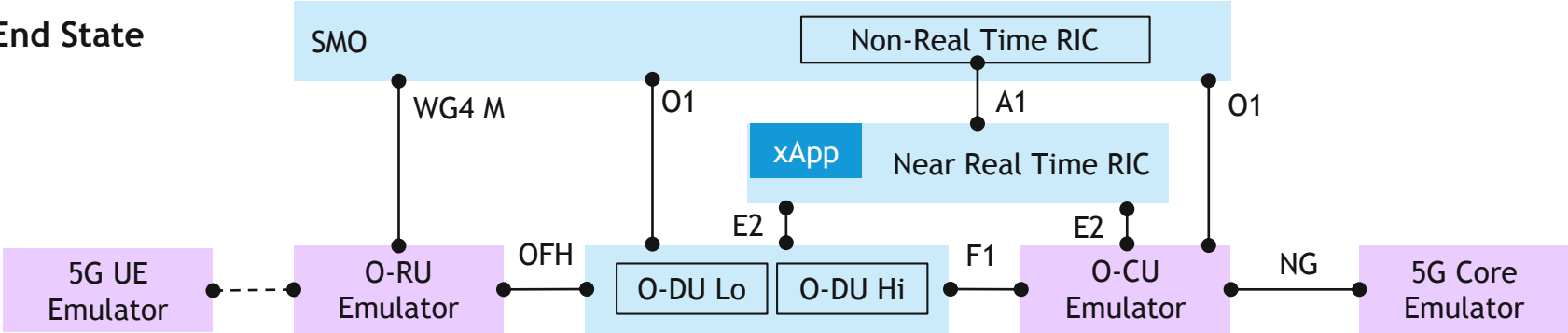


Short term test setup

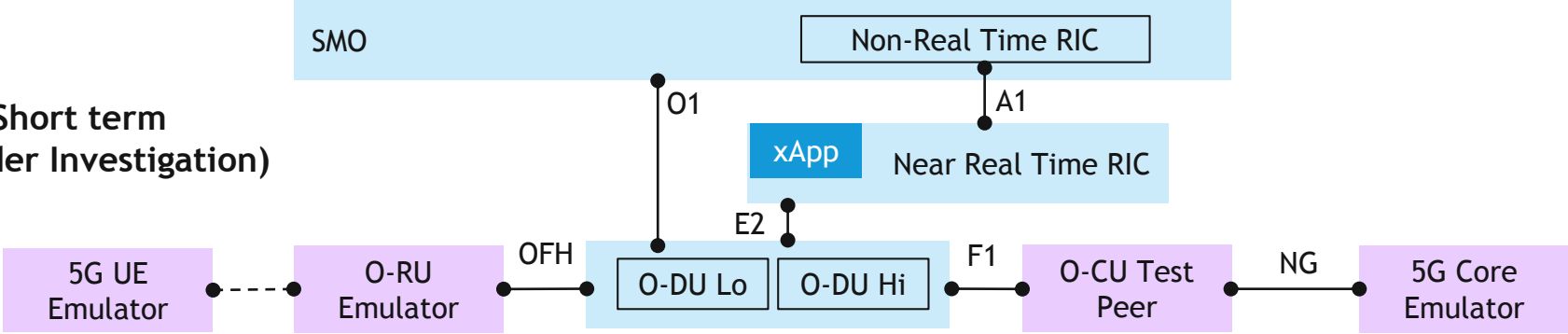
1. Share with the team on the UE and Cell stats which we can provide in O-DU emulator - contents, format, delivery methods and schedule
2. Check internally and get back to the team if we can possibly make use of our O-CU test peer to terminate the O-DU Hi F1 connections just to get the lab setup going initially.
3. Alignment in progress with E2 Simulator on format, contents and delivery methods

OSC - (3) O-DU Lo-Hi Subsystem Test Setup

3a. End State



3b. Short term (Under Investigation)

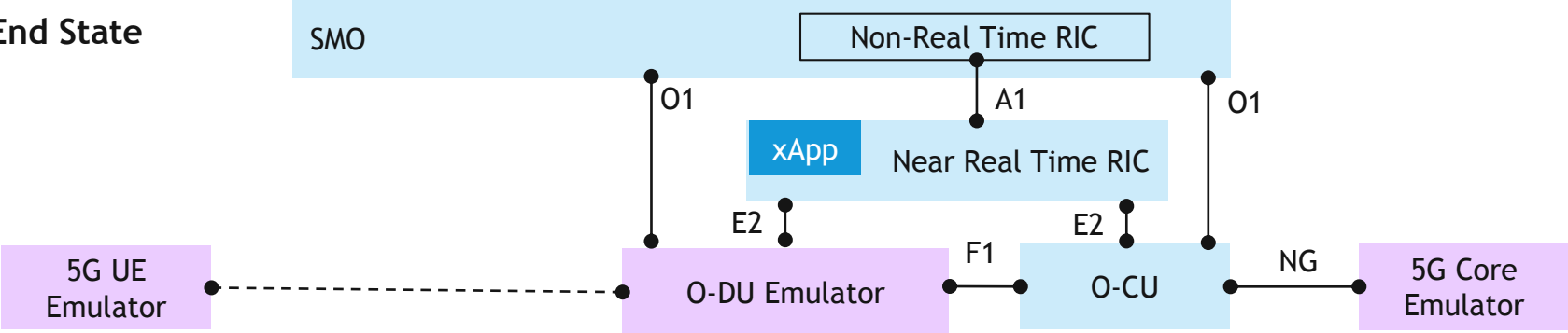


Short term test setup

1. Review internally VIAVI team on the schedule and provide feedback
2. Share appliance/server spec with the team for our (a) TM500 (b) O-RU emulator (c) O-CU emulator test peer for termination purposes (d) 5G core sim SA mode. On (a) we will share the performance spec on the entry level TM500. (b) it will be our own server optimized for performance (c) and (d) to be confirmed if we can use what AT&T may already have in their labs or we will need to bring our own
3. Work with Intel (Zhimin) on the WG4 IOT profile needing to be supported C/U/S/M plane
4. Check with Intel (Zhimin) if the O-DU Lo can work with M-Plane bypassed so that we can focus on C/U plane initially and work on M-Plane when we have some time.
5. Check internally and get back to the team if we can possibly make use of our O-CU test peer to terminate the O-DU Hi F1 connections just to get the lab setup going initially.
6. Share with the team on the UE and Cell stats which we can provide in TM500

OSC - (4) O-CU Subsystem Test Setup

4a. End State





VIAVI

VIAVI Solutions