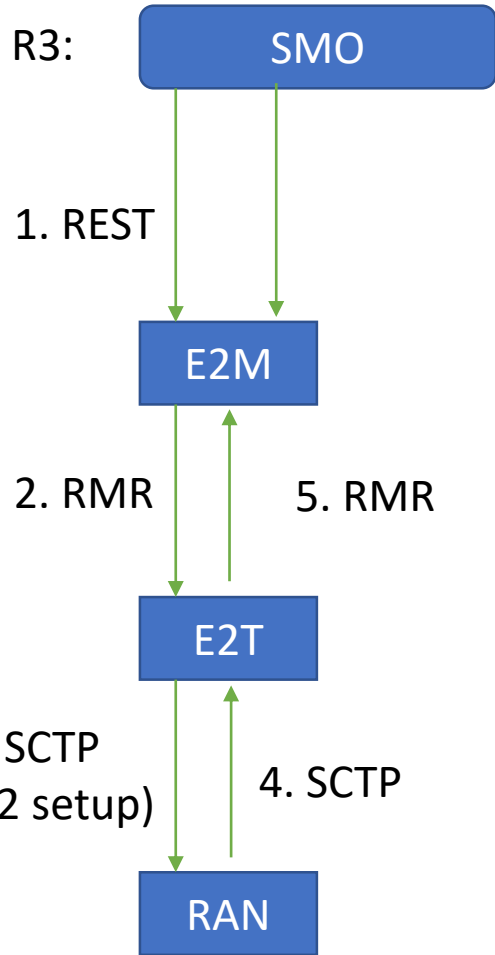
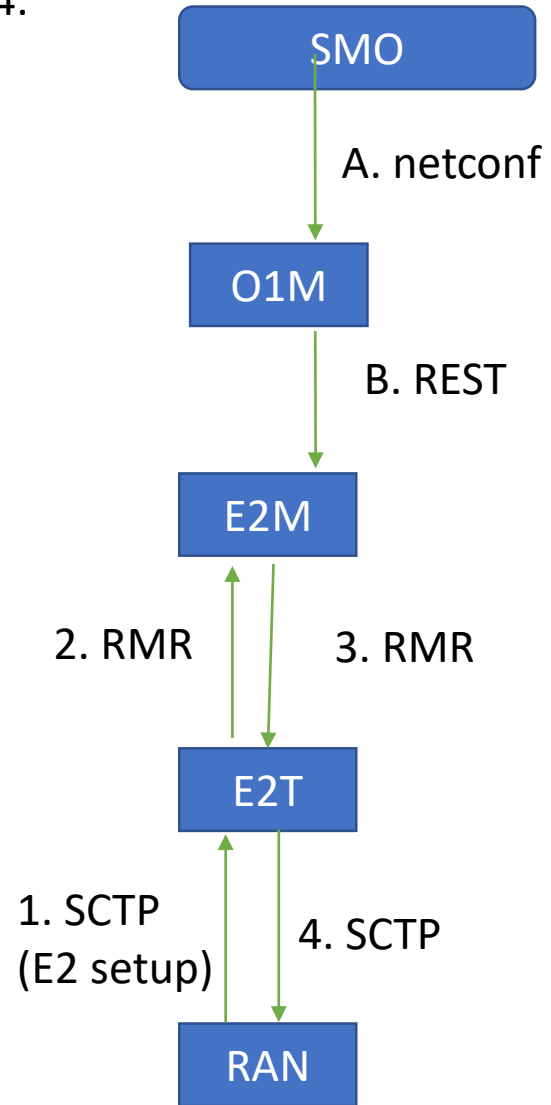


Bronze-R4 flows

# E2 setup

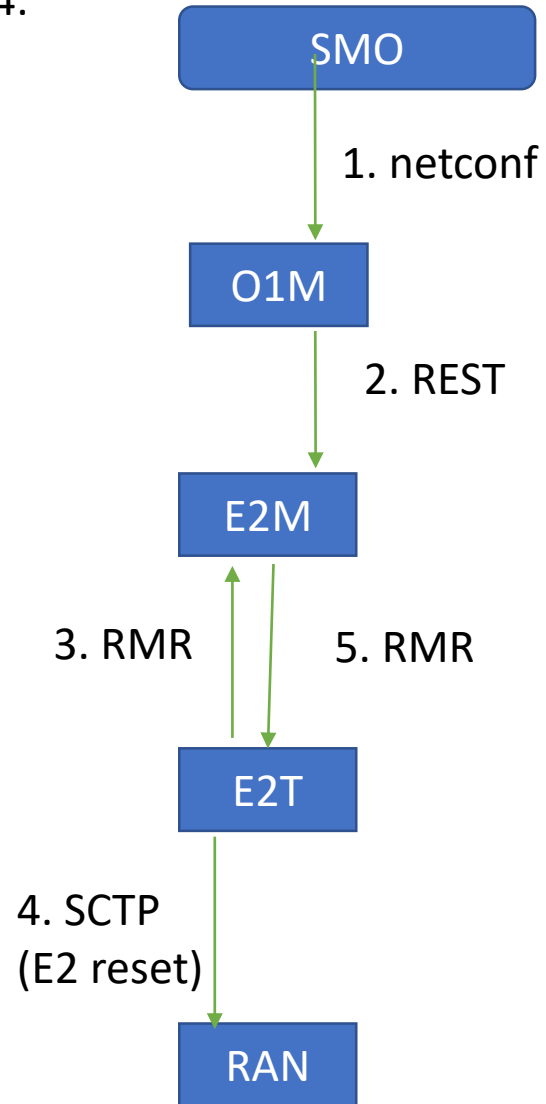
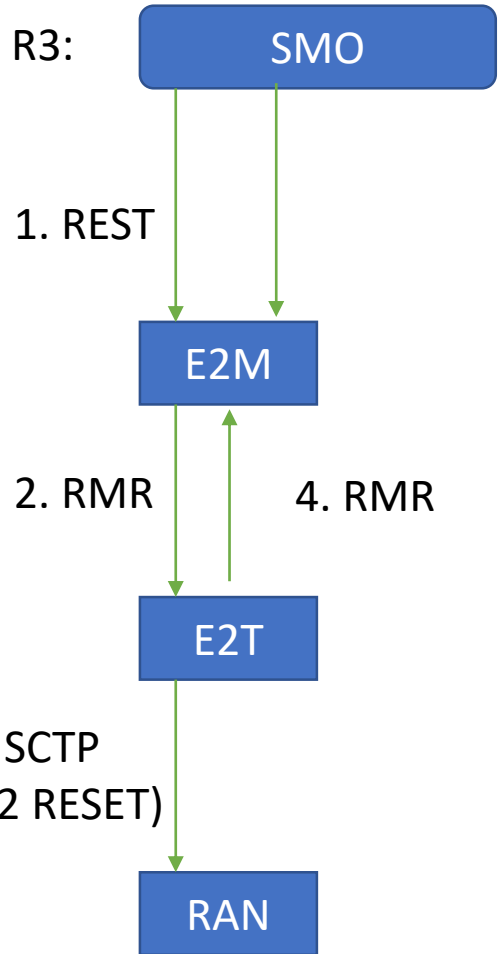


R4:



# E2 shutdown

R4:

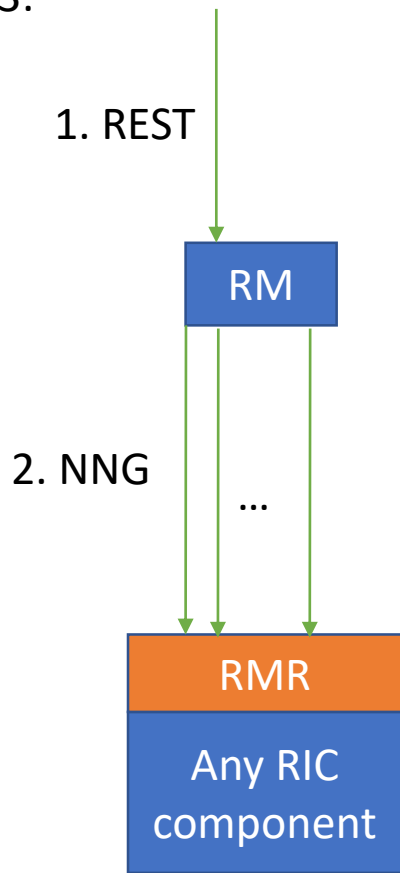


Questions:

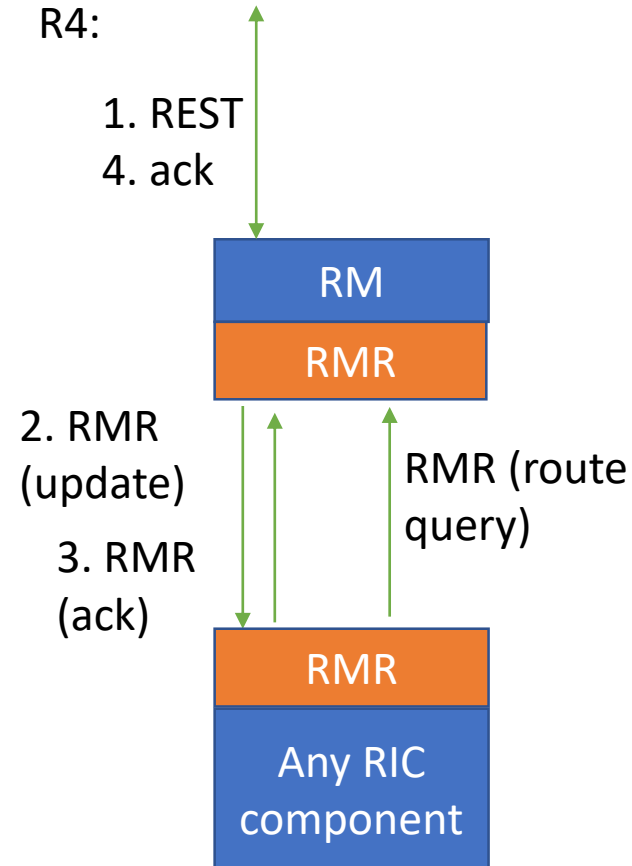
- E2 reset required?
- Does big red button push go through O1M?

# RMR route distribution

R3:



R4:



Questions:

- When RMR ready? A: sprint 1.
- When RM ready?

# Healthcheck use cases

**All use cases in JIRA based on tag:** <https://jira.o-ran-sc.org/issues/?jql=labels%20%3D%20healthcheckusecase%20and%20fixVersion%20%3D%20Bronze-R4>

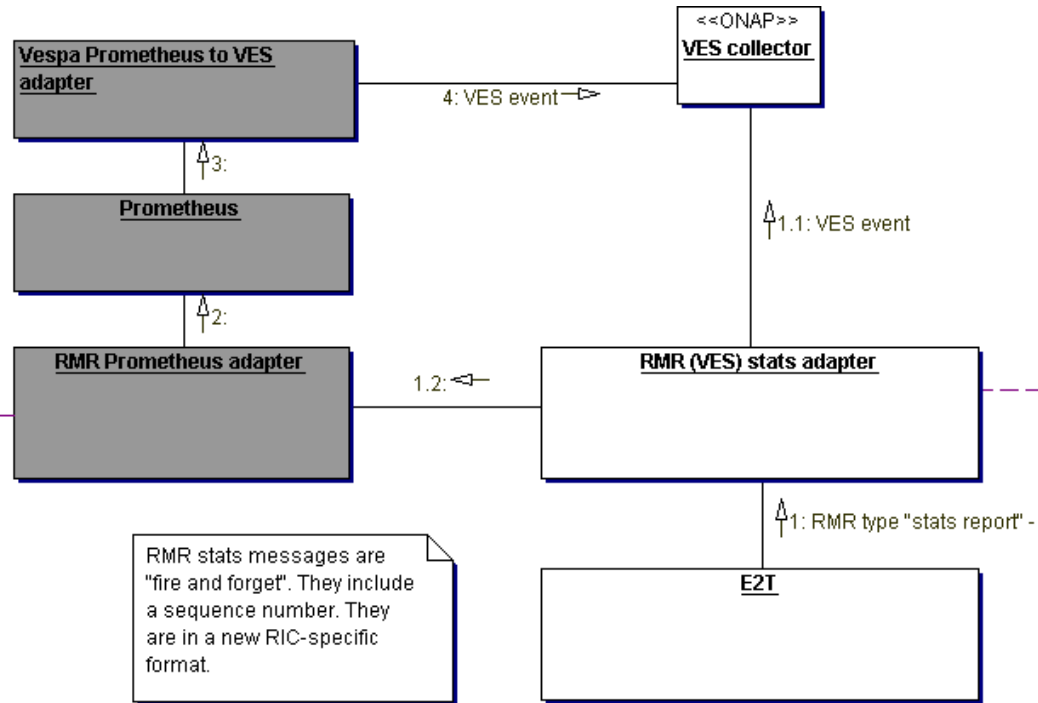
**All draft input from O-RAN RSAC:** <https://wiki.o-ran-sc.org/display/RSAC/Health-Check+Use+Case>

Generally related to

- Statistics, most notably RIC-30
- Alarm management – state and notifications, RIC-56
- Operator-initiated deeper health checks, RIC-95
- O1 access to list of gNBs and gNB E2 connection state RIC-124
- Others

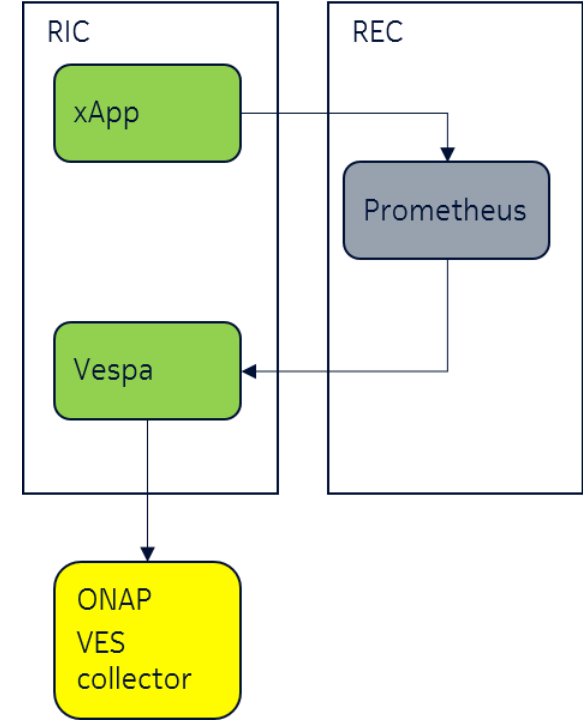
# RIC-30

## New in Bronze-R4



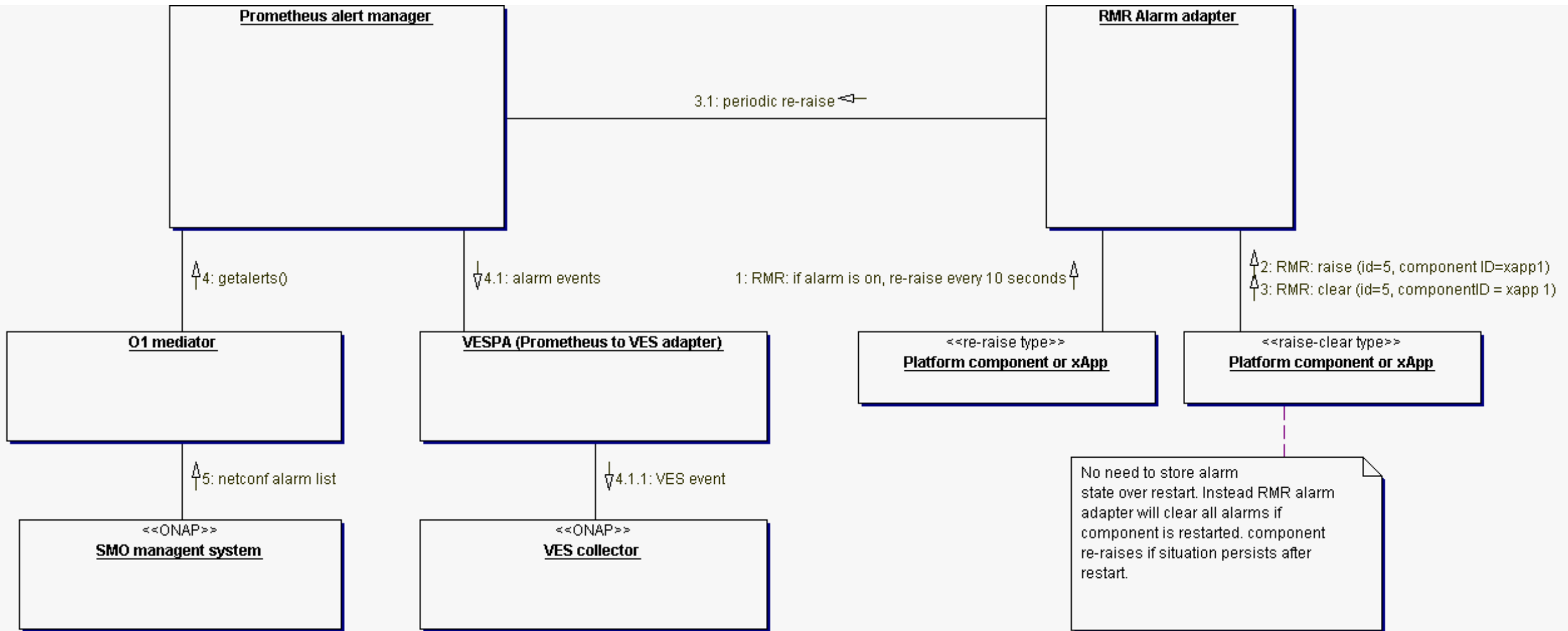
Adapter learns about translation rules from xApp descriptor or for platform components from static configuration (no need to use init containers to announce new sRIC platformstatistics provider)

## Existing already

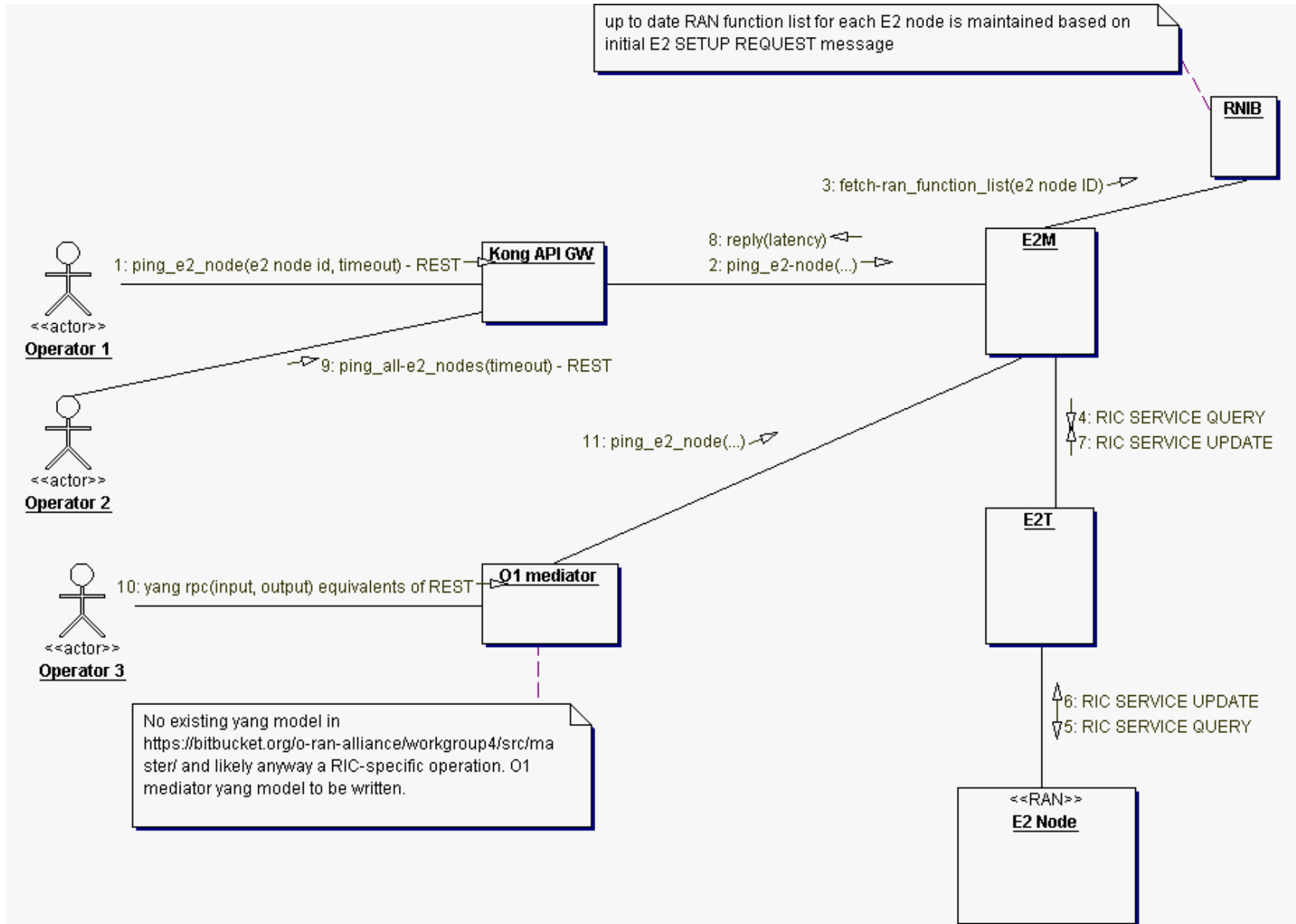


Not in Bronze-R4. Alternative implementation.

# RIC-56 - Formal alarm handling from xApps and from RICplatform, including a few alarms



# RIC-95 E2M interface for checking the health of E2 connections





# RIC-124 E2M: Expose list of "known gNBs" and their E2 connection state via O1, incl. internal notification, but no O1 notifications

