

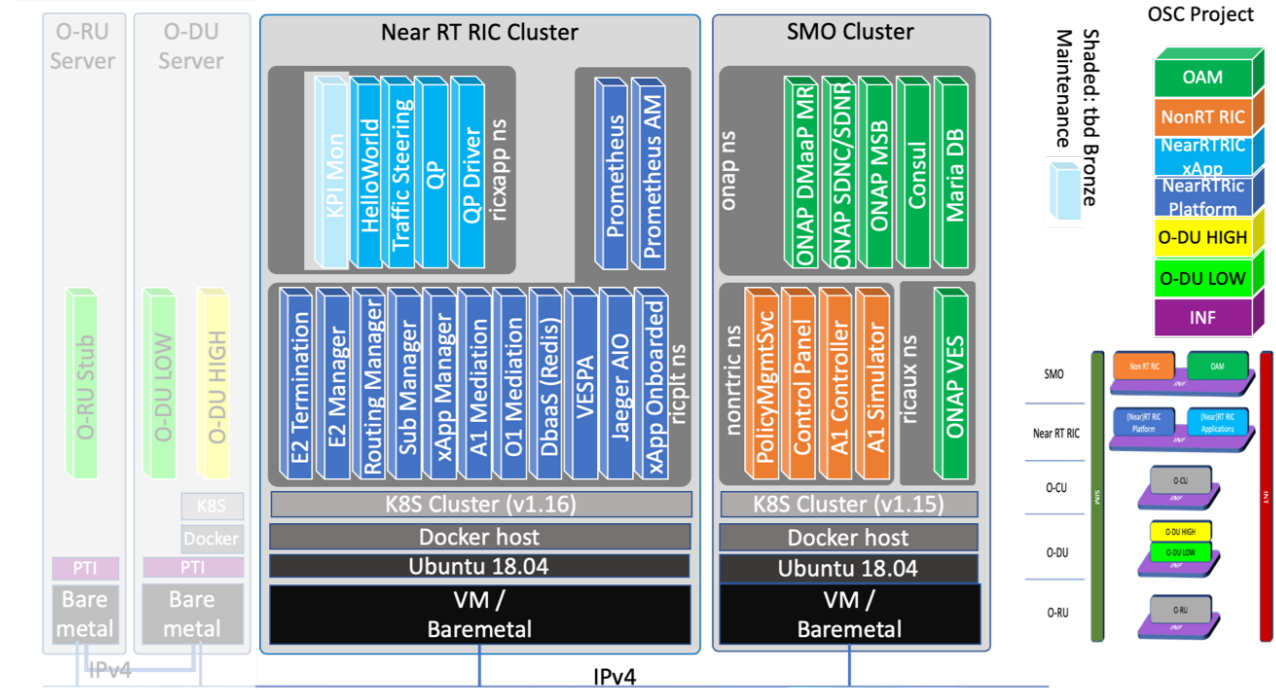
O-RAN-SC Integration Weekly Meeting

Oct. 14 2020

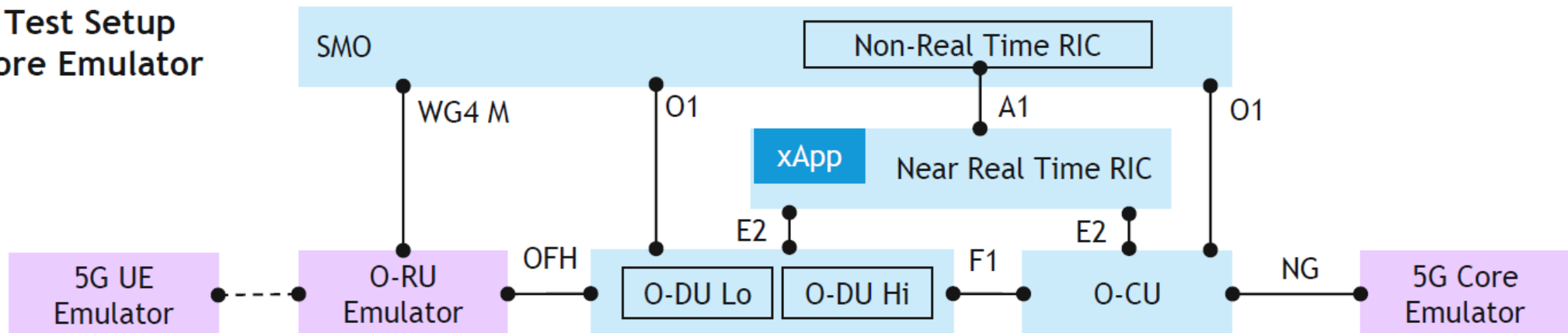
Oct. 07 Meeting Agenda

- OSC LAB Testing Resources Requirements
 - SMO
 - TS use case (Near-RT RIC)
 - O-DU
- Test Resources Access
- Call for Assistances

OSC Lab Plans



E2E Test Setup w Core Emulator



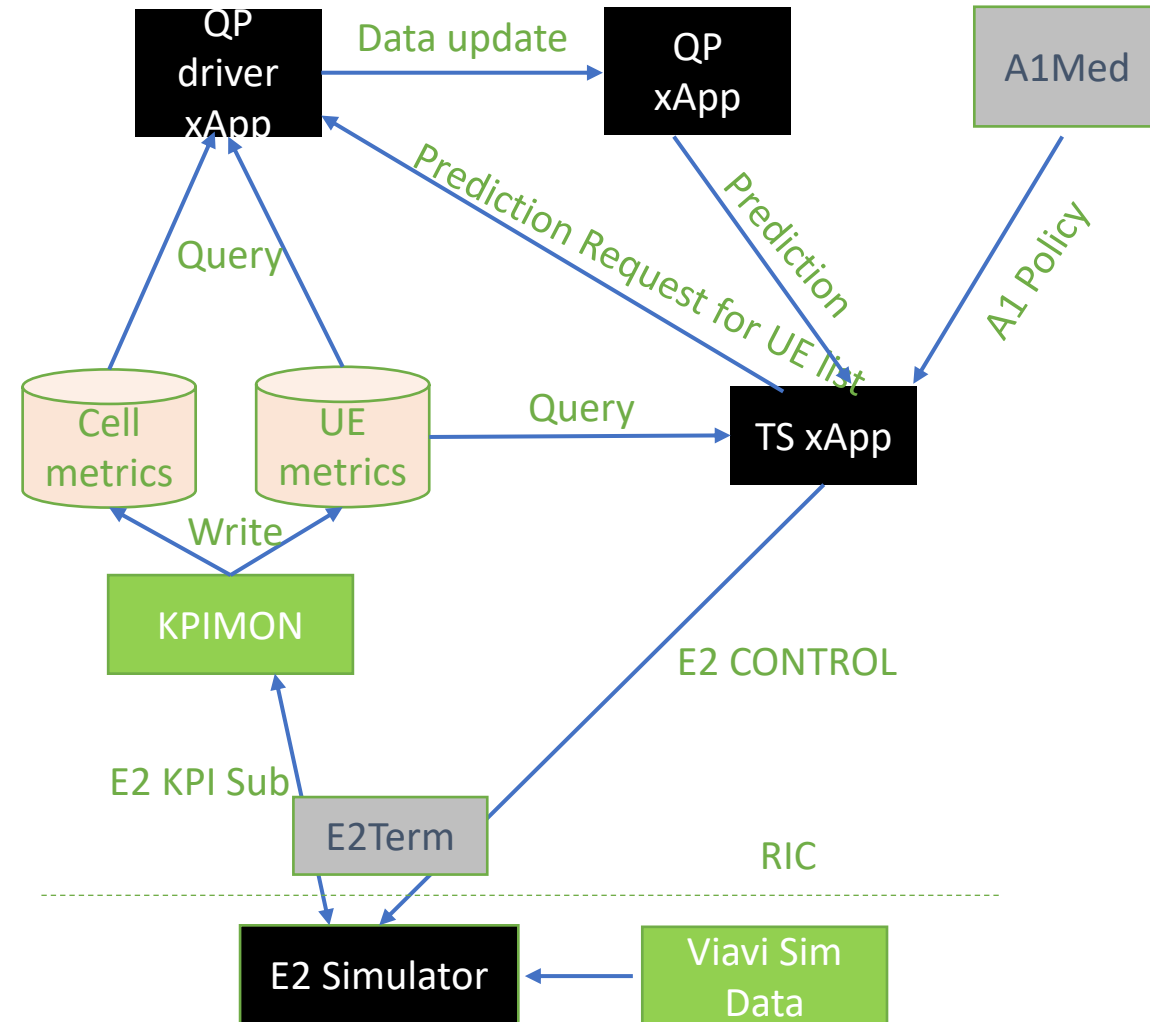
OSC LAB Testing Resources Requirements

- SMO
 - VM size
 - Docker image registry
 - Networking requirements
 - Any specify software requirements?

OSC LAB Testing Resources Requirements

- TS Use Case

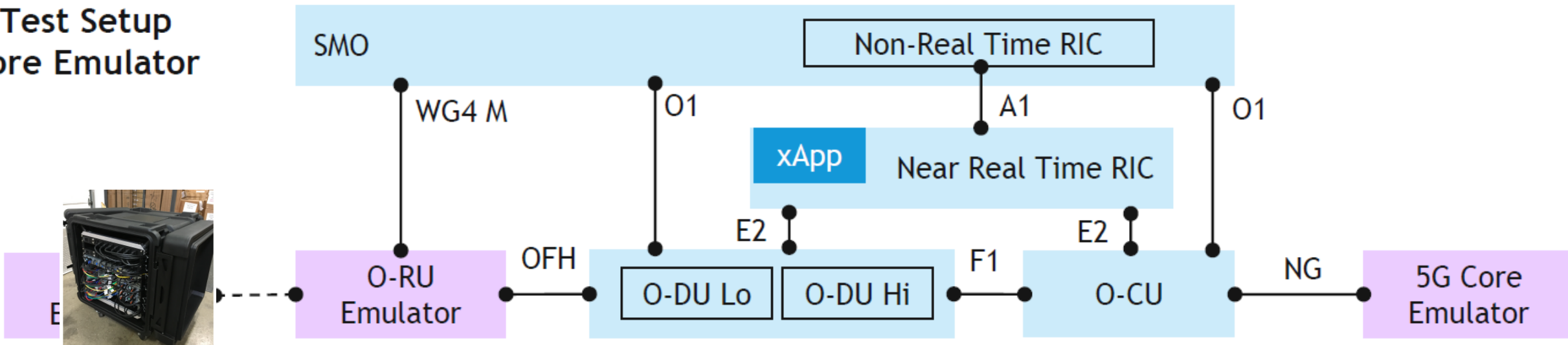
- VM size
- Docker image registry
- Networking requirements
- How to move the E2 SIM data?
- Any specify software requirements?



OSC LAB Testing Resources Requirements

- O-DU Use Case
 - On-going, any extra requirements?

E2E Test Setup
w Core Emulator



Test Resources Access

- T-lab VPN and VM access:
 - SMO
 - Alexandru
 - Martin
 - Mahesh
 - ?
 - TS Use Case
 - ?

Validation Testing Plan

Call for Assistances

- Each project repo:
 - Committer make sure that images are available in Nexus repos
 - Approach to Integration about CI pain points
- PTLs please share with the integration team materials about the testing and validation procedures
- Call for integration contributors