

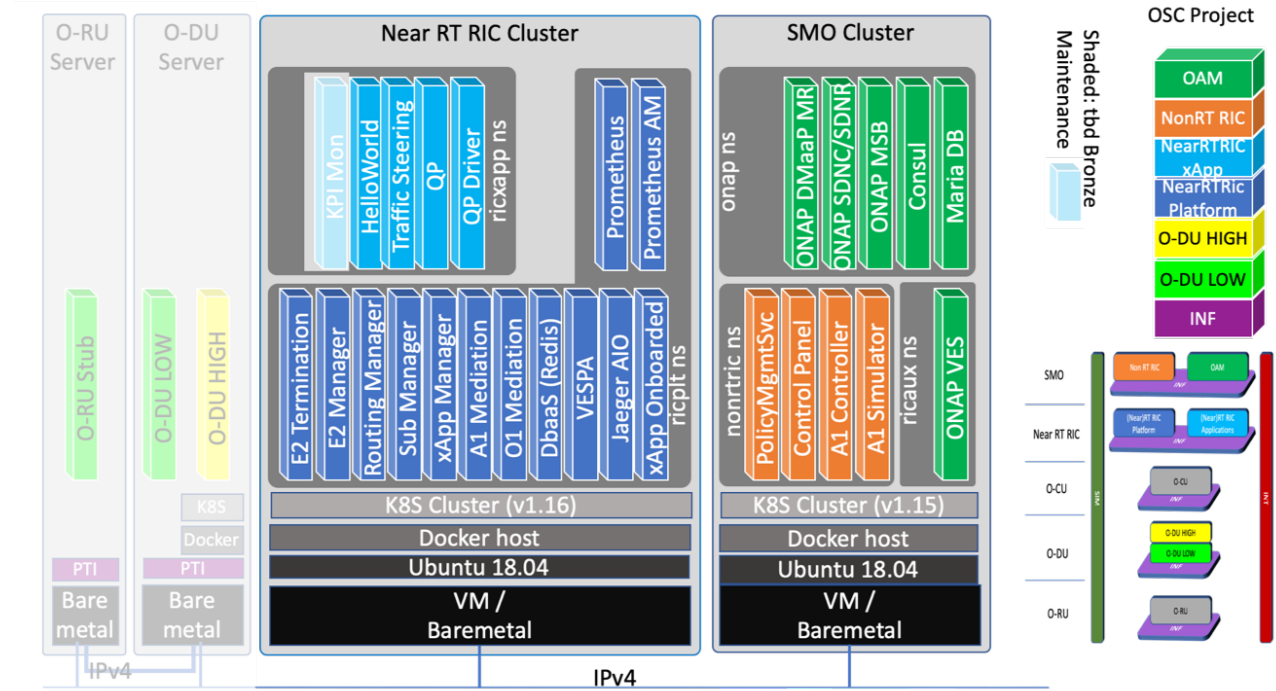
# O-RAN-SC Integration Weekly Meeting

Oct. 14 2020

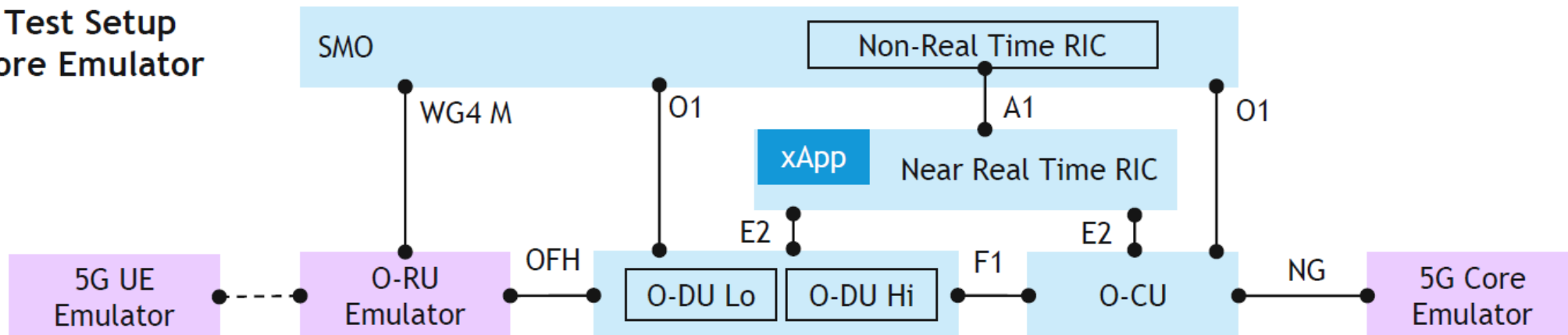
# Oct. 14 Meeting Agenda

- OSC LAB Testing Resources Requirements
  - SMO
  - TS use case (Near-RT RIC)
  - O-DU
- Test Resources Access
- Call for Assistances

# OSC Lab Plans



## E2E Test Setup w Core Emulator



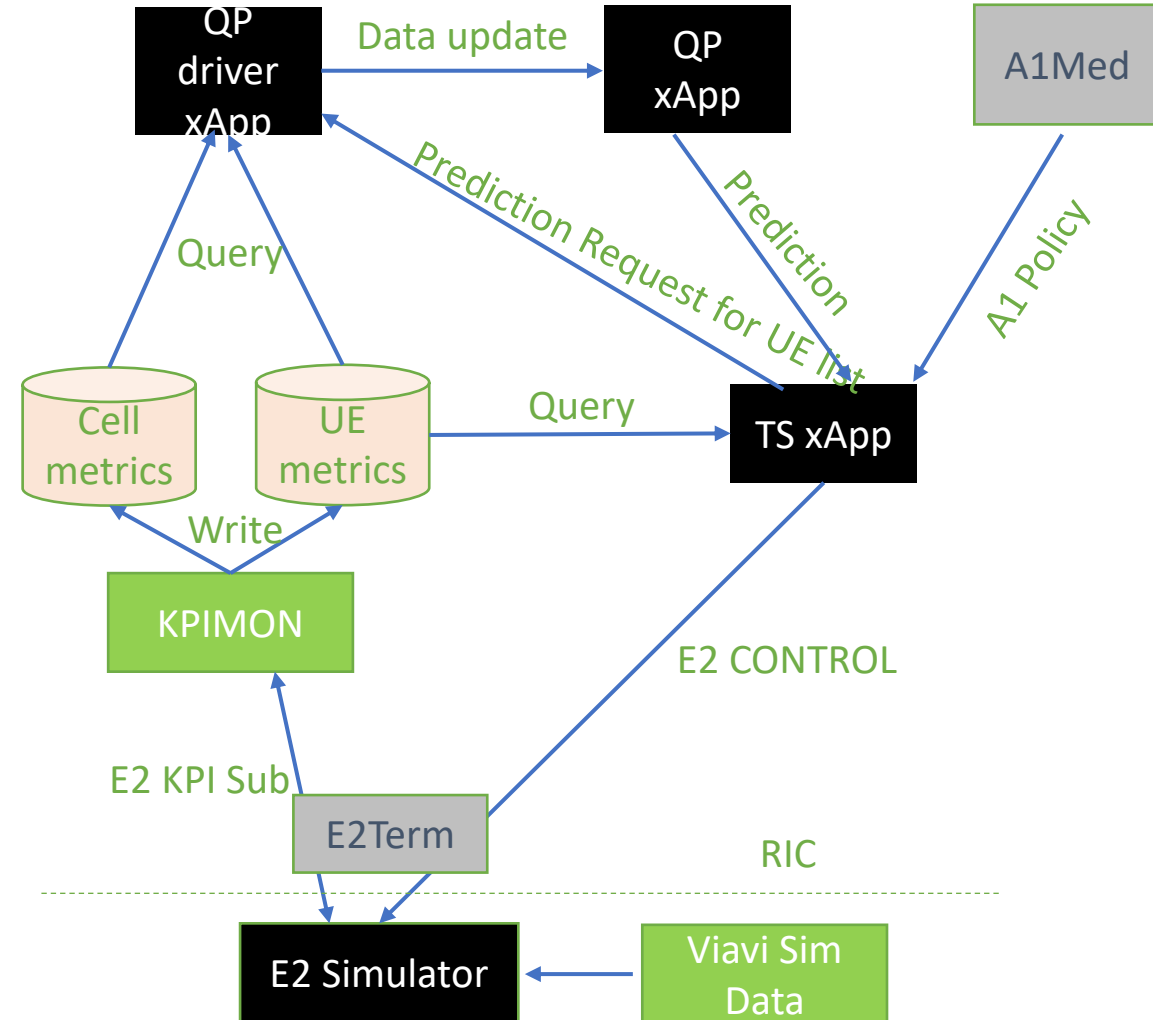
# OSC LAB Testing Resources Requirements

- SMO
  - VM size
  - Docker image registry
  - Networking requirements
  - Any specify software requirements?

# OSC LAB Testing Resources Requirements

- TS Use Case

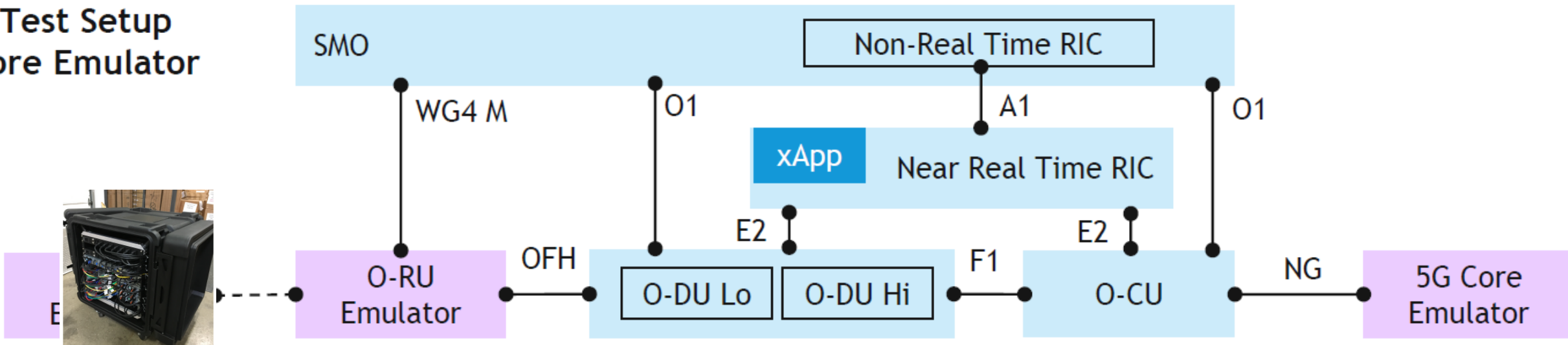
- VM size
- Docker image registry
- Networking requirements
- How to move the E2 SIM data?
- Any specify software requirements?



# OSC LAB Testing Resources Requirements

- O-DU Use Case
  - On-going, any extra requirements?

E2E Test Setup  
w Core Emulator



# Test Resources Access

- T-lab VPN and VM access:
  - SMO
    - Alexandru
    - Martin
    - Mahesh
    - ?
  - TS Use Case
    - ?

# Call for Assistances

- Each project repo:
  - Committer make sure that images are available in Nexus repos
  - Approach to Integration about CI pain points
- PTLs please share with the integration team materials about the testing and validation procedures
- Call for integration contributors